

MICRO SWITCH

A DIVISION OF MINNEAPOLIS-HONEYWELL REGULATOR COMPANY
 FREEPORT, ILLINOIS

FED. MFR. CODE 91929

PACKET

CATALOG LISTING

★ 5PAI

(M) 5PAI ISSUE 1

5PAI

M

DRAWING NUMBER

28

28

ISSUE 4

REPLACES

RELEASE NO.

CHECK

CHECK

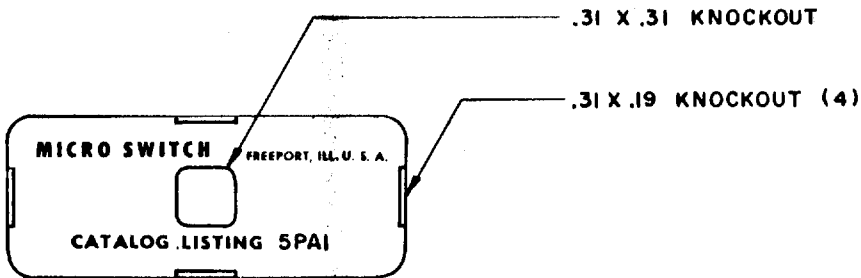
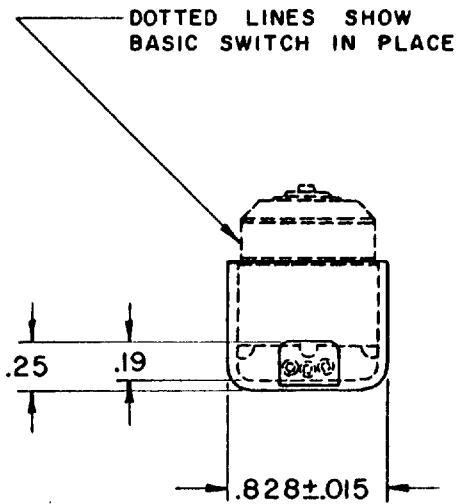
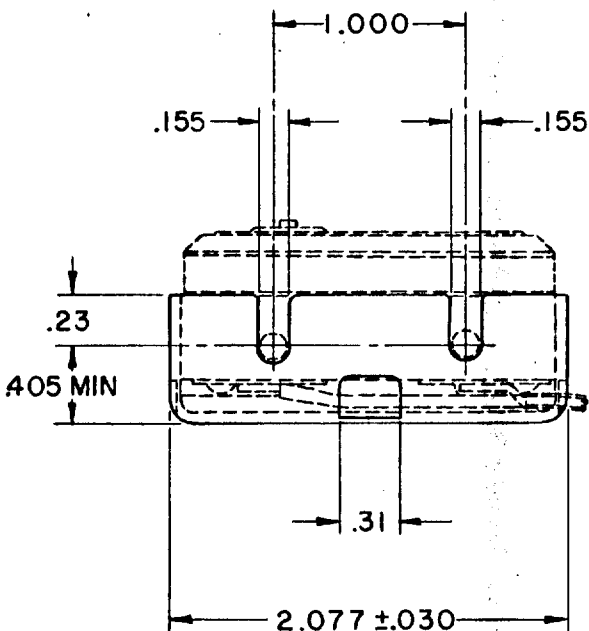
19 OCT 60

60 CHECK

18 OCT

60 CHECK

FO-50378



NOTE -
 1 - PLASTIC MATERIAL-GENERAL PURPOSE PHENOLIC

THIS DRAWING COVERS A PROPRIETARY ITEM AND IS THE PROPERTY OF MICRO SWITCH, A DIVISION OF MINNEAPOLIS-HONEYWELL REGULATOR CO. THIS DRAWING IS NOT TO BE COPIED OR USED WITHOUT THE APPROVAL OF MICRO SWITCH.

CHARACTERISTICS	ELECTRICAL DATA		SCALE FULL
	CONTACT ARRANGEMENT	BREAK DISTANCE	DO NOT SCALE PRINT
			UNLESS OTHERWISE SPECIFIED DIMENSIONS ARE IN INCHES TOLERANCES ARE: ONE PLACE (.0) ±.030 TWO PLACE (.00) ±.015 THREE PLACE (.000) ±.005 ANGLES ±
			WEIGHT